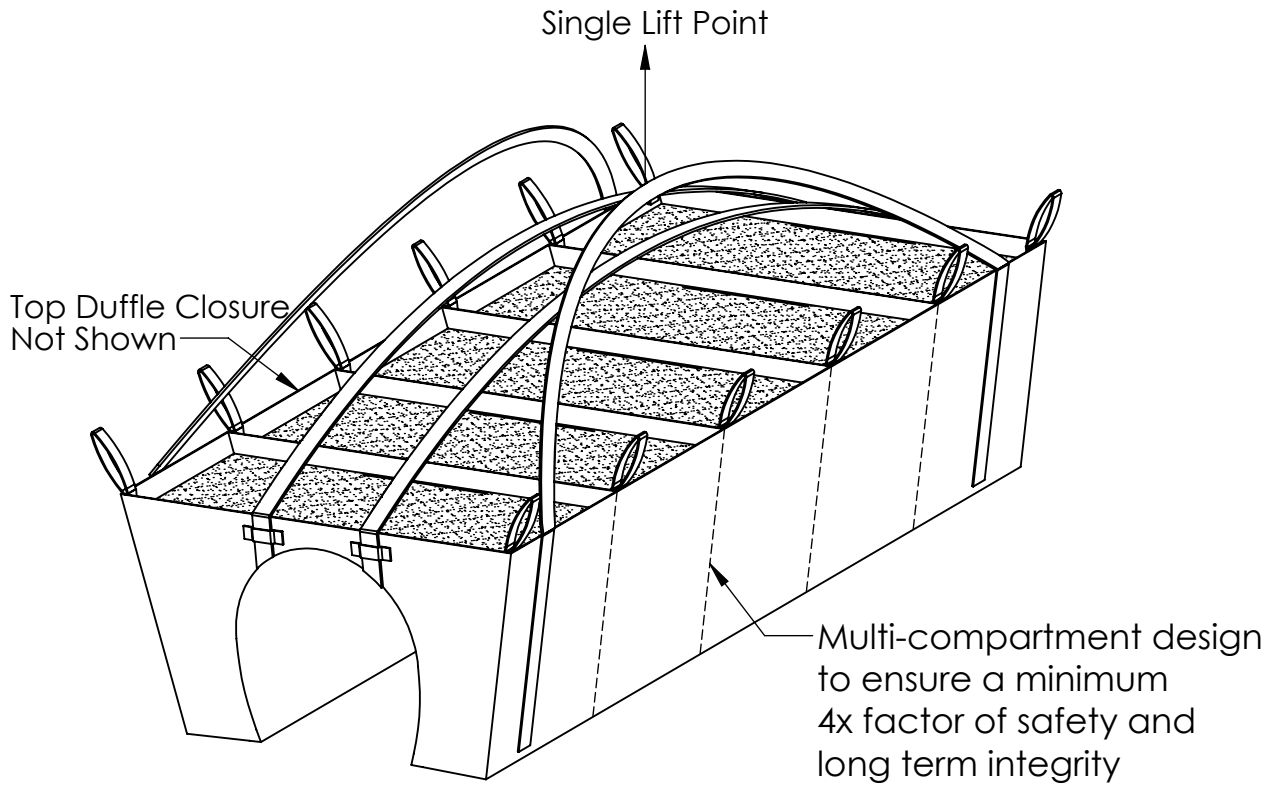


2

1

B

B



Typical Geotextile Weight

Size	Weight lb. (kg)	Volume ft ³ (m ³)
NPS 4	220 (100)	2.3 (0.06)
NPS 6	440 (200)	4.6 (0.13)
NPS 8	660 (300)	6.9 (0.20)
NPS10	1,100 (500)	11 (0.33)
NPS 12	1,600 (725)	17 (0.48)
NPS 16	2,500 (1,134)	26 (0.75)
NPS 20	5,000 (2,268)	52 (1.49)
NPS 24	5,000 (2,268)	52 (1.49)
NPS30	7,000 (3,175)	74 (2.09)
NPS 36	9,000 (4,100)	95 (2.68)
NPS 42	12,500 (5,670)	132 (3.73)
NPS 48	12,500 (5,670)	132 (3.73)

A

A



PipeSak Pipeline Products

Toll Free: +1 866.PIPESAK (747.3725) Tel: (519) 472 5080

SIZE

A

DRAWING NAME:

Typical Geotextile Pipeline Weight

SCALE:

NTS

DATE: 20/05/2021

SHEET: 1 OF 1

2

1